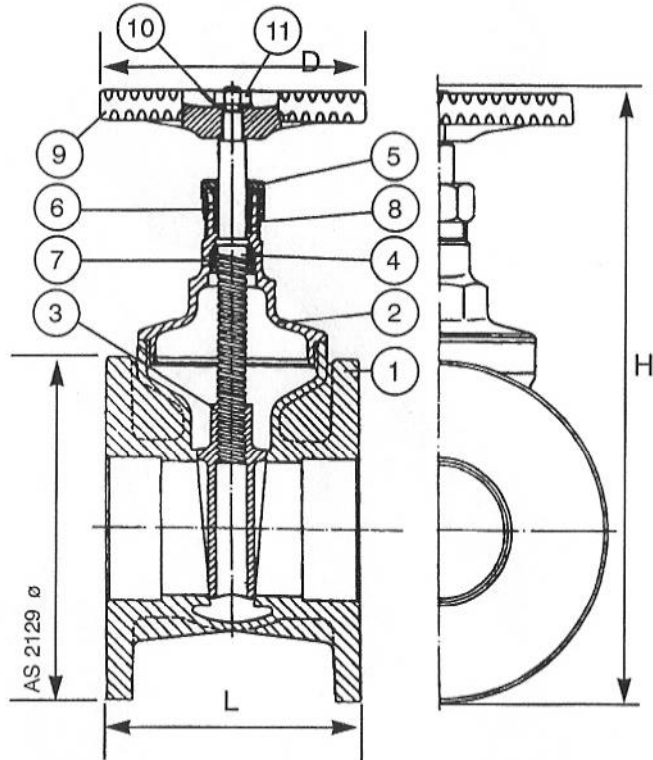


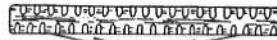
- Options:**
- Bronze Handwheels ①
 - Open-Shut Indicators ②
 - Locking Devices ③



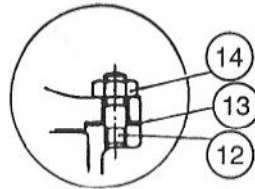
Dimensions

Size mm	8	10	15	20	25	32	40	50	65	80	100
L	•	•	70	73	88	95	102	114	120	140	178
H	•	•	105	111	140	159	178	203	241	260	343
D	•	•	65	65	90	90	90	120	120	150	190
Wt/kgs	•	•	1.6	2.0	2.8	3.8	4.8	7.2	8.5	12.0	23.6

*Suitability for Potable Water Services



②



⑭

⑬

⑫

NOTE
Bolted Bonnet – Size 100mm

Flanges:

AS2129: Table 'D' & 'E'

④ Available: ANSI · JIS · DIN

■ **Pressures:** 1400 kPa CWP
Maximum Working Pressure @ 100°C

■ **Standards:** Dezincification Resistant
AS 1628 – 1994: Copper Alloy Valves (Mod)
AS 3855: Materials to suit Potable Water Service

ITEM	DESCRIPTION	MAT'L	STANDARD
14	NUT	M.STEEL ZP	8 PCS
13	GASKET	NEO CORK	
12	STUD BOLT	M.STEEL ZP	8 PCS
11	HANDWHEEL NUT	BRASS	
10	NAMEPLATE		
9	HANDWHEEL	ZINC ALUM BRONZE	AS1874 AS1565
8	GLAND PACKING	PTFE GPI BUSH	AS1198
7	RETAINER RING	BRASS DR	AS1567 -352
6	GLAND FOLLOWER	DR BRASS	AS1567 -352
5	GLAND NUT	DR BRASS	AS1567 -352
4	SPINDLE	DR BRASS	AS1567 -352
3	WEDGE	GUNMETAL BRONZE	AS1565 C83600M
2	COVER – BONNET	GUNMETAL BRONZE	AS1565 C83600M
1	BODY	GUNMETAL BRONZE	AS1565 C83600M



PROMET VALVES AUSTRALIA

1A Green Road Woodville West SA 5011
www.prometvalves.com promet@prometvalves.com
T: 08 8268 1777 ABN 47096 425 697 F: 08 8268 1711

FIG No **T60M** BRONZE GATE VALVE
FLANGED CLASS 14
PN 16